

# ANTENNA DATASHEET

## RFA-5159-27V9

### Product Description



RFA-5159-27V9 is a flat panel antenna combined high gain and 9° beamwidth, it's suitable for outdoor applications in the 5.15-5.85GHz band. It can be installed for vertical or horizontal polarization.

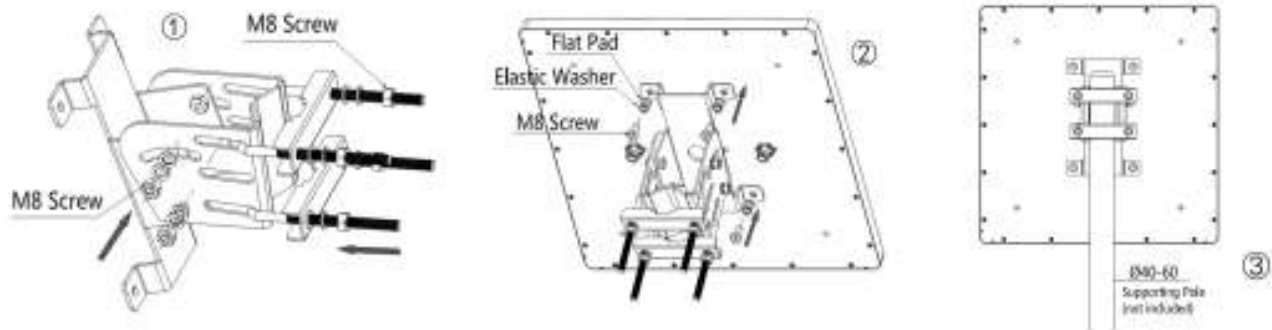
### Features

- High Gain
- IP66 Waterproof Level
- UV Protected ABS Radome
- Strong and Easy Mounting Bracket

### Application

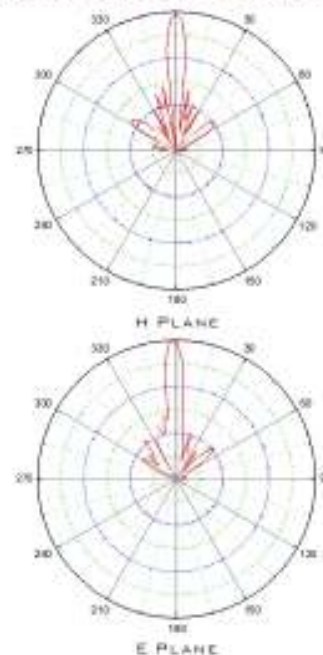
- Wireless Access systems
- Wireless Bridges
- Client Antenna

### Mounting Diagram



Electrical Specifications	
Model	RFA-5159-27V9
Frequency Range	5150-5850 MHz
Gain	27 dBi
VSWR	<1.5
3dB Beam-Width, H-Plane	9°
3dB Beam-Width, E-Plane	9°
Polarization	Vertical or Horizontal
Front to Back Ratio	>28 dB
Maximum input power	100 Watt
Impedance	50 Ω
Lightning Protection	DC Grounded
Mechanical Specifications	
Connector	N Female
Antenna Dimension	450×450×22 mm
Weight	3.8 KG
Radome Material	UV Protected ABS
Mounting Mast Diameter	Ø40-Ø60 mm
Operating temperature	-40° C to +65° C

### Antenna Patterns



sales@rfeq.com  
www.rfeq.com

1821 Vanderbilt Ave.  
Portage, MI 49024

**RF** Engineering  
& Energy Resources