

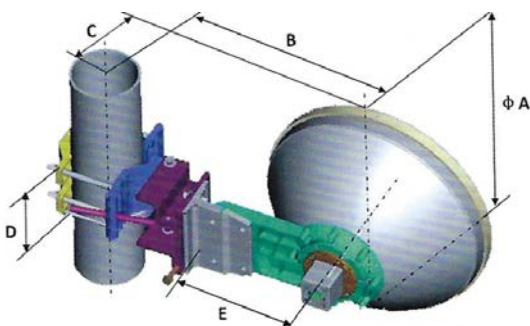
## 0.6m, Ultra High Performance, Single-Polarized, 5.925-7.125GHz

### Electrical Specifications

Frequency (GHz)	5.925-7.125
Polarization	Single (V or H)
Gain , Low (dBi)	28.1
Gain , Mid (dBi)	29.6
Gain, Top (dBi)	30.6
Beam Width (deg)	5.3
Cross-POL. Discrimination_ XPD (dB)	30
F/B Ratio (dB)	55
VSWR (max)	1.3
Regulatory Compliance	ETSI EN 302 217-4-2V 1.5.1 Range1, Class3

### Mechanical Specifications

Diameter (m)/(ft)	0.6m/2ft
Antenna Color	Pantone Cool Gray 1C
Wave-guide Size	153 IEC-R70
Radome Options	Molded
Azimuth Adjustment	Coarse : 360 ° Fine : ±15°
Elevation Adjustment	Coarse : ±10 ° Fine : ±15°
Diameter of Mounting Pole (mm)/(in)	Φ51~Φ114mm/2~4.5in
Wind Velocity Survival Rating (m/s)	67
Wind Velocity Operational (m/s)	30
Ice-load (mm)/(in)	25.4mm/1in
Operational Temperature (°C)/(°F)	-45~+60°C/-49~140°F
Axial Force (N)	1218
Side Force (N)	601
Twisting Moment (N•m)	505
Packaging	Carton
L×W×H (mm)/(in)	750x750x440mm/29.5x29.5x17in
Gross Weight/Net Weight (kg)/(lb)	16kg/11kg/35lb/24lb



Dimensions (mm)	
A	655
B	412
C	265
D	115
E	232
F	NA

#### Radio Mount Chart    Code

Remec Rectangular	01
Remec Round	02
Dragonwave	03
Exalt	04
Solectek	05
Ceregon	06
Bridgewave	07
Dragonwave Radios	
Dragonwave Harmony	
Harmony Advanced	