

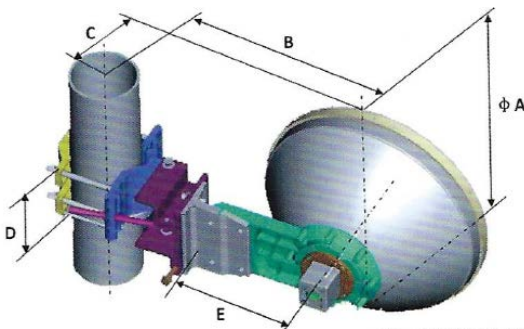
0.6m, Ultra High Performance, Single-Polarized, 7.125-8.500GHz

Electrical Specifications

Frequency (GHz)	7.125-8.500
Polarization	Single (V or H)
Gain , Low (dBi)	29.6
Gain , Mid (dBi)	31.1
Gain, Top (dBi)	32.2
Beam Width (deg)	4.7
Cross-POL. Discrimination_XPD (dB)	30
F/B Ratio (dB)	57
VSWR (max)	1.3
Regulatory Compliance	ETSI EN 302 217-4-2V 1.5.1 Range1, Class3

Mechanical Specifications

Diameter (m)/(ft)	0.6m/2ft
Antenna Color	Pantone Cool Gray 1C
Wave-guide Size	153 IEC-R84
Radome Options	Molded
Azimuth Adjustment	Coarse : 360 ° Fine : ±15°
Elevation Adjustment	Coarse : ±25 ° Fine : ±15°
Diameter of Mounting Pole (mm)/(in)	Φ51~Φ114mm/2~4.5in
Wind Velocity Survival Rating (m/s)	67
Wind Velocity Operational (m/s)	30
Ice-load (mm)/(in)	25.4mm/1in
Operational Temperature (°C)/(°F)	-45~+60°C/-49~140°F
Axial Force (N)	1218
Side Force (N)	601
Twisting Moment (N•m)	505
Packaging	Carton
L×W×H (mm)/(in)	750x750x440mm/29.5x29.5x17in
Gross Weight/Net Weight (kg)/(lb)	16kg/11kg/35lb/24lb



Dimensions (mm)	
A	655
B	412
C	265
D	115
E	232
F	NA

<u>Radio Mount Chart</u>	<u>Code</u>
Remec Rectangular	01
Remec Round	02
Dragonwave	03
Exalt	04
Solectek	05
Ceregon	06
Bridgewave	07