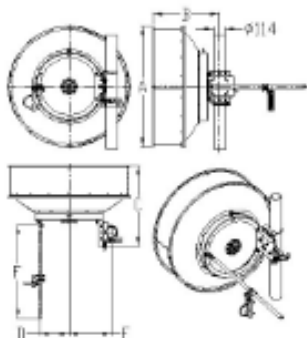


1.8m, Ultra High Performance, Single-Polarized, 10.125-11.7GHz

| Electrical Specifications | |
|--------------------------------------|--|
| Frequency (GHz) | 10.125-11.7 |
| Polarization | Single (V or H) |
| Gain, Low (dBi) | 42.7 |
| Gain, Mid (dBi) | 43.5 |
| Gain, Top (dBi) | 44.4 |
| Beam Width (deg) | 1.1 |
| Cross-pol. Discrimination_ XP D (dB) | 30 |
| F/B Ratio (dB) | 70 |
| VSWR (max) | 1.3 |
| Regulatory Compliance | ETSI EN 302 217-4-2 V 1.5.1 Range 1, Class 3 |

| Mechanical Specifications | |
|-------------------------------------|---------------------------------|
| Diameter (m)/ft. | 1.8m/6 ft. |
| Antenna Color | Cool Gray |
| Wave-guide Size | 153 IEC-R70 |
| Radome Options | Flexible |
| Azimuth Adjustment | Coarse : 360° Fine : ±5° |
| Elevation Adjustment | Coarse : ±5° Fine : ±5° |
| Diameter of Mounting Pole (mm) | Φ114 |
| Wind Velocity Survival Rating (m/s) | 67 |
| Wind Velocity Operational (m/s) | 30 |
| Ice-load (mm) | 25.4 |
| Operational Temperature (°C) | -45 ~ +60 |
| Axial Force (N) | 9758 |
| Side Force (N) | 4816 |
| Twisting Moment (N•m) | 2728 |
| Packaging | Wooden |
| L×W×H (mm)/ft. | 2100x570x2200 / 6.10'x1.8'x7.2' |
| Gross Weight/Net Weight/GW #/NW# | 154kg/83kg / 339lb./183lb. |



| Dimensions (mm) | |
|-----------------|------|
| A | 1877 |
| B | 1044 |
| C | 265 |
| D | 367 |
| E | 1955 |
| | |

| Radio/Mount | Code |
|-------------|------|
| Remec | |
| Rectangular | 01 |
| Remec Round | 02 |
| Dragonwave | 03 |
| Exalt | 04 |
| Solectek | 05 |
| Ceregon | 06 |
| Bridgewave | 07 |