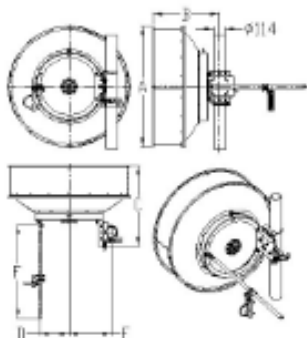


**1.2m, Ultra High Performance, Single-Polarized, 17.1-17.7GHz**

| Electrical Specifications           |  |
|-------------------------------------|--|
| Frequency (GHz)                     | 17.1-17.7                                    |
| Polarization                        | Single (V or H)                              |
| Gain, Low (dBi)                     | 43.9   |
| Gain, Mid (dBi)                     | 44   |
| Gain, Top (dBi)                     | 44.2   |
| Beam Width (deg)                    | 1  |
| Cross-pol. Discrimination_XP D (dB) | 30   |
| F/B Ratio (dB)                      | 71   |
| VSWR (max)                          | 1.3  |
| Regulatory Compliance               | ETSI EN 302 217-4-2 V 1.5.1 Range 2, Class 3 |

| Mechanical Specifications           |                                   |
|-------------------------------------|-----------------------------------|
| Diameter (m)/ft.                    | 1.2m/4 ft.                        |
| Antenna Color                       | Cool Gray                         |
| Wave-guide Size                     | 153 IEC-R220                      |
| Radome Options                      | Molded                            |
| Azimuth Adjustment                  | Coarse : 360° Fine : ±10°         |
| Elevation Adjustment                | Coarse : ±10° Fine : ±10°         |
| Diameter of Mounting Pole (mm)      | Φ114                              |
| Wind Velocity Survival Rating (m/s) | 67                                |
| Wind Velocity Operational (m/s)     | 30                                |
| Ice-load (mm)                       | 25.4                              |
| Operational Temperature (°C)        | -45 ~ +60                         |
| Axial Force (N)                     | 4008                              |
| Side Force (N)                      | 1978                              |
| Twisting Moment (N•m)               | 1759                              |
| Packaging                           | Wooden                            |
| L×W×H (mm)/ft.                      | 1380x450x1700 / 4.52'x1.48'x5.58' |
| Gross Weight/Net Weight/GW #/NW#    | 74kg/44kg / 163.14#/97#           |



| Dimensions (mm) |      |
|-----------------|------|
| A               | 1228 |
| B               | 689  |
| C               | 834  |
| D               | 299  |
| E               | 439  |
| F               | 1470 |

| Radio/Mount | Code |
|-------------|------|
| Remec       |      |
| Rectangular | 01   |
| Remec Round | 02   |
| Dragonwave  | 03   |
| Exalt       | 04   |
| Solectek    | 05   |
| Ceregon     | 06   |
| Bridgewave  | 07   |