

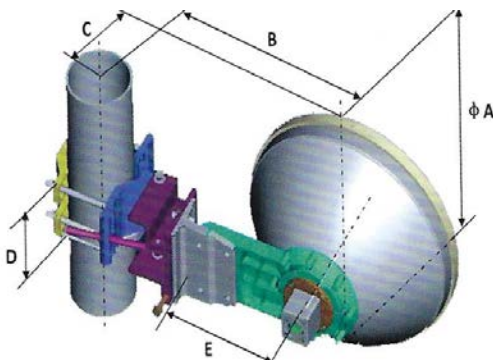
0.6m, Ultra High Performance, Single-Polarized, 21.2-23.6GHz

Electrical Specifications

| | |
|-------------------------------------|--|
| Frequency (G Hz) | 21.2-23.6 |
| Polarization | Single (V or H) |
| Gain, Low (dBi) | 40 |
| Gain, Mid (dBi) | 40.5 |
| Gain, Top (dBi) | 41 |
| Beam Width (deg) | 1.7 |
| Cross-pol. Discrimination_XP D (dB) | 30 |
| F/B Ratio (dB) | 65 |
| VSWR (max) | 1.3 |
| Regulatory Compliance | ETSI EN 302 217-4-2 V 1.5.1 Range 3, Class 3 |

Mechanical Specifications

| | |
|-------------------------------------|------------------------------|
| Diameter (m)/(ft) | 0.6m/2ft |
| Antenna Color | Pantone Cool Gray 1C |
| Wave-guide Size | 153 IEC-R220 |
| Radome Options | Molded |
| Azimuth Adjustment | Coarse : 360° Fine : ±15° |
| Elevation Adjustment | Coarse : ±25° Fine : ±1.5° |
| Diameter of Mounting Pole (mm)/(in) | Φ51~Φ114mm/2~4.5in |
| Wind Velocity Survival Rating (m/s) | 67 |
| Wind Velocity Operational (m/s) | 30 |
| Ice-load (mm)/(in) | 25.4mm/1in |
| Operational Temperature (°C) / (°F) | -45~+60°C/-49~140°F |
| Axial Force (N) | 1218 |
| Side Force (N) | 601 |
| Twisting Moment (N•m) | 505 |
| Packaging | Carton |
| L×W×H (mm)/(in) | 750x750x440mm/29.5x29.5x17in |
| Gross Weight/Net Weight (kg)/(lb) | 16kg/11kg/35lb/24lb |



| Dimensions (mm) | |
|-----------------|-----|
| A | 658 |
| B | 412 |
| C | 265 |
| D | 115 |
| E | 232 |
| F | NA |

| Radio Mount Chart | Code |
|-------------------|------|
| Remec Rectangular | 01 |
| Remec Round | 02 |
| Dragonwave | 03 |
| Exalt | 04 |
| Solectek | 05 |
| Ceregon | 06 |
| Bridgewave | 07 |