

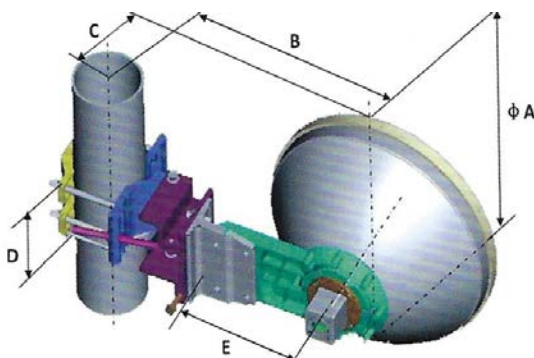
0.6m, Ultra High Performance, Single-Polarized, 21.1-24.5GHz

Electrical Specifications

Frequency (G Hz)	21.1-24.5
Polarization	Single (V or H)
Gain, Low (dBi)	40
Gain, Mid (dBi)	40.6
Gain, Top (dBi)	41.2
Beam Width (deg)	1.7
Cross-pol. Discrimination_XPD (dB)	30
F/B Ratio (dB)	65
VSWR (max)	1.3
Regulatory Compliance	ETSI EN 302 217-4-2 V 1.5.1 Range 3, Class 3

Mechanical Specifications

Diameter (m)/(ft)	0.6m/2ft
Antenna Color	Pantone Cool Gray 1C
Wave-guide Size	153 IEC-R220
Radome Options	Molded
Azimuth Adjustment	Coarse : 360° Fine : ±15°
Elevation Adjustment	Coarse : ±25° Fine : ±1.5°
Diameter of Mounting Pole (mm)/(in)	Φ51~Φ114mm/2~4.5in
Wind Velocity Survival Rating (m/s)	67
Wind Velocity Operational (m/s)	30
Ice-load (mm)/(in)	25.4mm/1in
Operational Temperature (°C) / (°F)	-45~+60°C/-49~140°F
Axial Force (N)	1218
Sie Force (N)	601
Twisting Moment (N•m)	505
Packaging	Carton
L×W×H (mm)/(in)	750x750x440mm/29.5x29.5x17in
Gross Weight/Net Weight (kg)/(lb)	16kg/11kg/35lb/24lb



Dimensions (mm)

A	658
B	412
C	265
D	115
E	232
F	NA

Radio Mount Chart

Code

Remec Rectangular	01
Remec Round	02
Dragonwave	03
Exalt	04
Solectek	05
Ceregon	06
Bridgewave	07