

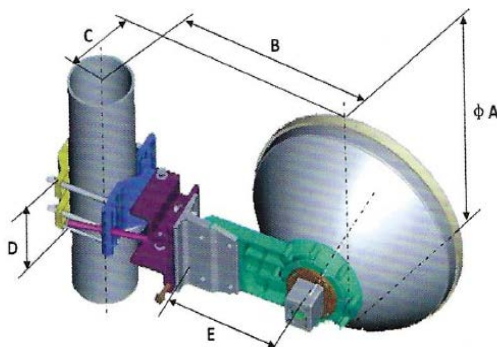
0.3m, Ultra High Performance, Single-Polarized, 31.8-33.4GHz

Electrical Specifications

| | |
|--------------------------------------|--|
| Frequency (G Hz) | 31.8-33.4 |
| Polarization | Single (V or H) |
| Gain, Low (dBi) | 38.7 |
| Gain, Mid (dBi) | 38.9 |
| Gain, Top (dBi) | 39.1 |
| Beam Width (deg) | 1.8 |
| Cross-pol. Discrimination_ XP D (dB) | 30 |
| F/B Ratio (dB) | 58 |
| VSWR (max) | 1.3 |
| Regulatory Compliance | ETSI EN 302 217-4-2 V 1.5.1 Range 5, Class 3 |

Mechanical Specifications

| | |
|-------------------------------------|---------------------------------|
| Diameter (m)/(ft) | 0.3m /1ft |
| Antenna Color | Pantone Cool Gray 1C |
| Wave-guide Size | 153 IEC-R320 |
| Radome Options | Molded |
| Azimuth Adjustment | Coarse : 360° Fine : ±15° |
| Elevation Adjustment | Coarse : ±25° Fine : ±15° |
| Diameter of Mounting Pole (mm)/(in) | Φ51~Φ114mm/ 2~4.5in |
| Wind Velocity Survival Rating (m/s) | 67 |
| Wind Velocity Operational (m/s) | 30 |
| Ice-load (mm)/(in) | 25.4mm / 1in |
| Operational Temperature (°C)/(°F) | -45~+60 °C / -49~140 °F |
| Axial Force (N) | 407 |
| Side Force (N) | 201 |
| Twisting Moment (N•m) | 168 |
| Packaging | Carton |
| L×W×H (mm)/(in) | 500x450x320mm/19.5x19.5x12.5 in |
| Gross Weight/Net Weight (kg)/(lb) | 8.5kg/6.5kg/18.5lb/14lb |



| Dimensions (mm) | |
|-----------------|-----|
| A | 376 |
| B | 412 |
| C | 145 |
| D | 115 |
| E | 232 |
| F | NA |

Radio Mount Chart Code

| | |
|-------------------|----|
| Remec Rectangular | 01 |
| Remec Round | 02 |
| Dragonwave | 03 |
| Exalt | 04 |
| Solectek | 05 |
| Ceregon | 06 |
| Bridgewave | 07 |