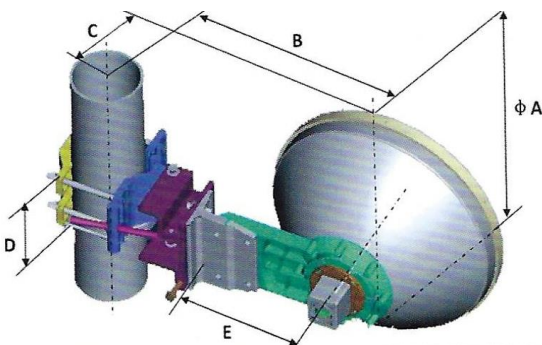


0.3m, Ultra High Performance Antenna, Single-Polarized, 71.00-86.00GHz

Electrical Specifications	
Frequency (GHz)	71-86
Polarization	Single (V or H)
Gain, Low (dBi)	43.8
Gain, Mid (dBi)	44.7
Gain, Top (dBi)	45.2
Beam Width (deg)	0.8
Cross-pol. Discrimination_ XP D (dB)	27
F/B Ratio (dB)	62
VSWR (max)/ ISO. (dB)	1.5
Regulatory Compliance	ETSI Class 3/Brazil Anatel

Mechanical Specifications	
Diameter (m)/(ft)	0.3m /1ft
Antenna Color	Pantone Cool Gray 1C
Wave-guide Size	153 IEC-R740
Radome Options	Molded
Azimuth Adjustment	Coarse : 360° Fine : ±15°
Elevation Adjustment	Coarse : ±25° Fine : ±15°
Diameter of Mounting Pole (mm)/(in)	Φ51~Φ114mm/ 2~4.5in
Wind Velocity Survival Rating (m/s)	70
Wind Velocity Operational (m/s)	56
Ice-load (mm)/(in)	25.4mm / 1in
Operational Temperature (°C)/(°F)	-45~+60 °C / -49~140 °F
Axial Force (N)	474
Side Force (N)	234
Twisting Moment (N•m)	174
Packaging	Carton
L×W×H (mm)/(in)	500x450x320mm/19.5x19.5x12.5 in
Gross Weight/Net Weight (kg)/(lb)	8.5kg/6.5kg/18.5lb/14lb



Dimensions (mm)	
A	389.5
B	366.5
C	101.5
D	200
E	NA
F	NA

<u>Radio Mount Chart</u>	<u>Code</u>
Remec Rectangular	01
Remec Rod	02
Dragonwave	03
Exalt	04
Solectek	05
Ceregon	06
Bridgewave	07