

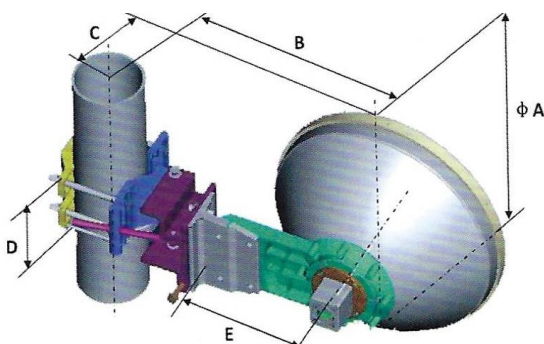
0.6m, Ultra High Performance Antenna, Single-Polarized, 71.00-86.00GHz

Electrical Specifications

Frequency (GHz)	71-86
Polarization	Single (V or H)
Gain, Low (dBi)	46.8
Gain, Mid (dBi)	49.1
Gain, Top (dBi)	49.6
Beam Width (deg)	0.5
Cross-pol. Discrimination_XPD (dB)	27
F/B Ratio (dB)	67
VSWR (max)/ ISO. (dB)	1.5
Regulatory Compliance	ETSI Class 3/Brazil Anatel

Mechanical Specifications

Diameter (m)/(ft)	0.6m /2ft
Antenna Color	Pantone Cool Gray 1C
Wave-guide Size	153 IEC-R740
Radome Options	Molded
Azimuth Adjustment	Coarse : 360° Fine : ±15°
Elevation Adjustment	Coarse : ±25° Fine : ±15°
Diameter of Mounting Pole (mm)/(in)	Φ51~Φ114mm/ 2~4.5in
Wind Velocity Survival Rating (m/s)	70
Wind Velocity Operational (m/s)	56
Ice-load (mm)/(in)	25.4mm / 1in
Operational Temperature (°C)/(°F)	-45~+60 °C / -49~140 °F
Axial Force (N)	1357
Side Force (N)	670
Twisting Moment (N•m)	525
Packaging	Carton
L×W×H (mm)/(in)	750x750x440mm/29.5x29.5x17.3in
Gross Weight/Net Weight (kg)/(lb)	16kg/11kg/35lb/24lb



Dimensions (mm)	
A	675
B	382.
C	271
D	89
E	210
F	NA

Radio Mount Chart Code

Remec Rectangular	01
Remec Rod	02
Dragonwave	03
Exalt	04
Solectek	05
Ceregon	06
Bridgewave	07